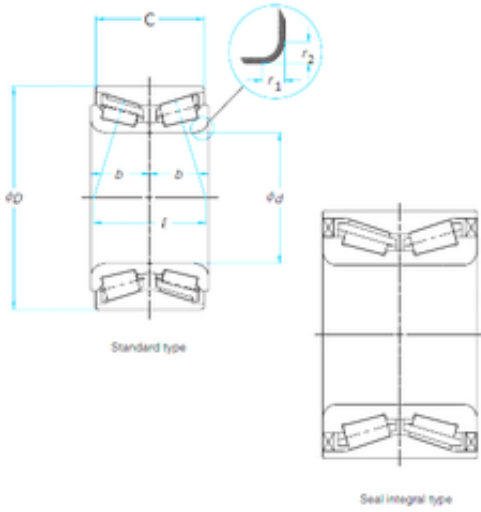




Bearing de Mexico, S.A.



40 mm x 73 mm x 55 mm SKF BTH-1024C tapered roller bearings

Bearing No. BTH-1024C

| | |
|----------------|-------------|
| Size | 40x73x55 mm |
| Bore Diameter | 40 mm |
| Outer Diameter | 73 mm |
| Width | 55 mm |
| d | 40 mm |
| D | 73 mm |
| B | 55 mm |

BTH-1024C Bearing 2D drawings and 3D CAD models