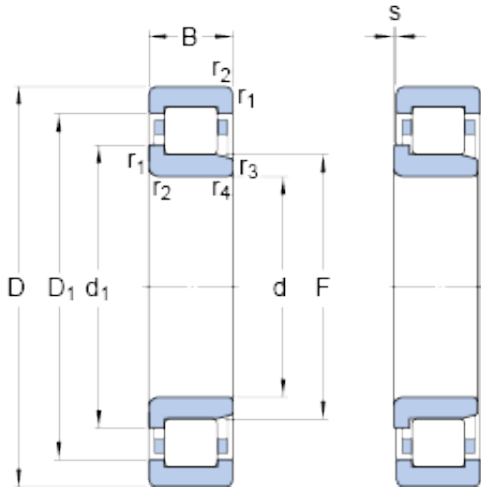




Bearing de Mexico, S.A.



100 mm x 180 mm x 46 mm SKF NJ 2220 ECML thrust ball bearings

Bearing No. NJ 2220 ECML

Size	180x100x46 mm
Bore Diameter	180 mm
Outer Diameter	100 mm
Width	46 mm
d	100 mm
D	180 mm
B	46 mm
d ₁	127 mm
D ₁	156.4 mm
F	119 mm
r _{1,2} - min.	2.1 mm
r _{3,4} - min.	2.1 mm
s	2.5 mm
d _a - min.	113 mm
d _a - max.	116 mm
d _b - min.	130 mm
D _a - max.	167.5 mm
r _a - max.	2 mm
Basic dynamic load rating - C	380 kN
Basic static load rating - C ₀	450 kN
Fatigue load limit - P _u	54 kN
Reference speed	4000 r/min
Limiting speed	6700 r/min
Calculation factor - k _r	0.3

NJ 2220 ECML Bearing 2D drawings and 3D CAD models



Bearing de Mexico, S.A.

Category	Cylindrical Roller Bearings
Inventory	0.0
Manufacturer Name	SKF
Minimum Buy Quantity	N/A
Weight / Kilogram	5.399
EAN	7316570523249
Product Group	B04144
Bore Profile	Straight
Cage Material	Brass
Precision Class	RBEC 1 ISO P0
Number of Rows of Rollers	Single Row
Separable	Inner Ring - One Side
Rolling Element	Cylindrical Roller Bearing
Profile	Complete with Outer and Inner Ring
Snap Ring	No
Internal Clearance	C0-Medium
Retainer	Yes
Relubricatable	Yes
Inch - Metric	Metric
Other Features	High Capacity 1 Rib Inner Ring 2 Rib Outer Ring Cage on Outer Ring ID
Long Description	100MM Bore; Straight Bore Profile; 180MM Outside Diameter; 46MM Width; Brass Cage Material; RBEC 1 ISO P0; Single Row; Inner Ring - One Side Separable; No Snap Ring; Relubricatable; C0-Medium Inter
Category	Cylindrical Roller Bearing
UNSPSC	31171547
Harmonized Tariff Code	8482.50.00.00
Noun	Bearing



Bearing de Mexico, S.A.

Manufacturer URL	http://www.skf.com
Manufacturer Item Number	NJ 2220 ECML
Weight / LBS	11.892
Outside Diameter	7.087 Inch 180 Millimeter
Bore	3.937 Inch 100 Millimeter
Width	1.811 Inch 46 Millimeter
d_1	127 mm
D_1	156.4 mm
$r_{1,2}$ min.	2.1 mm
$r_{3,4}$ min.	2.1 mm
s max.	2.5 mm
d_a min.	113 mm
d_a max.	116 mm
d_b min.	130 mm
D_a max.	167.5 mm
r_a max.	2 mm
Basic dynamic load rating C	380 kN
Basic static load rating C_0	450 kN
Fatigue load limit P_u	54 kN
Calculation factor k_r	0.3
Limiting value e	0.3
Axial load factor Y	0.4
Mass bearing	5.32 kg
Angle ring	HJ 2220 EC