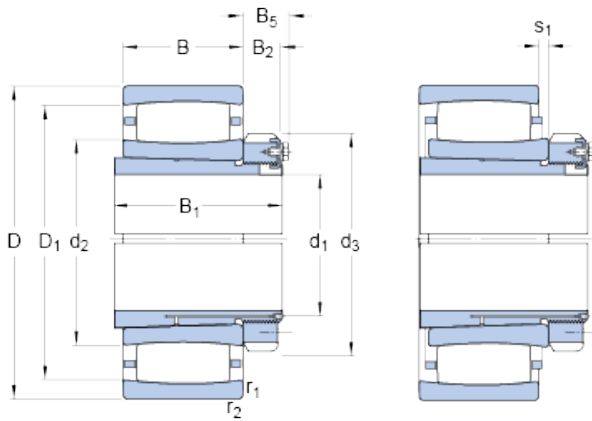




Bearing de Mexico, S.A.



SKF C 3076 KM + OH 3076 H cylindrical roller bearings

Bearing No. C 3076 KM + OH 3076 H

Size	560x360x193 mm
Bore Diameter	560 mm
Outer Diameter	360 mm
Width	193 mm
d_1	360 mm
D	560 mm
B_1	193 mm
d_2	431 mm
d_3	450 mm
D_1	512 mm
B	135 mm
B_2	48 mm
B_5	62 mm
s_1	27 mm
$r_{1,2}$ - min.	5 mm
d_a - max.	462 mm
d_b - min.	396 mm
D_a - min.	491 mm
D_a - max.	542 mm
B_a - min.	15 mm
C_a - min.	2 mm
r_a - max.	4 mm
Basic dynamic load rating - C	3000 kN

C 3076 KM + OH 3076 H Bearing 2D drawings and 3D CAD models



Bearing de Mexico, S.A.

Basic static load rating - C_0	5200 kN
Fatigue load limit - P_u	380 kN
Reference speed	900 r/min
Limiting speed	1200 r/min
Factor - k_1	0.12
Factor - k_2	0.1
d_1	360 mm
B_1	193 mm
d_2	431 mm
d_3	450 mm
D_1	512 mm
B_2	48 mm
B_5	62 mm
s_1 max.	27 mm
$r_{1,2}$ min.	5 mm
d_a max.	462 mm
d_b min.	396 mm
D_a min.	491 mm
D_a max.	542 mm
B_a min.	15 mm
C_a min.	2 mm
r_a max.	4 mm
Basic dynamic load rating C	3000 kN
Basic static load rating C_0	5200 kN
Fatigue load limit P_u	380 kN
Misalignment factor k_1	0.12
Operating clearance factor k_2	0.1
Mass bearing + sleeve	145 kg